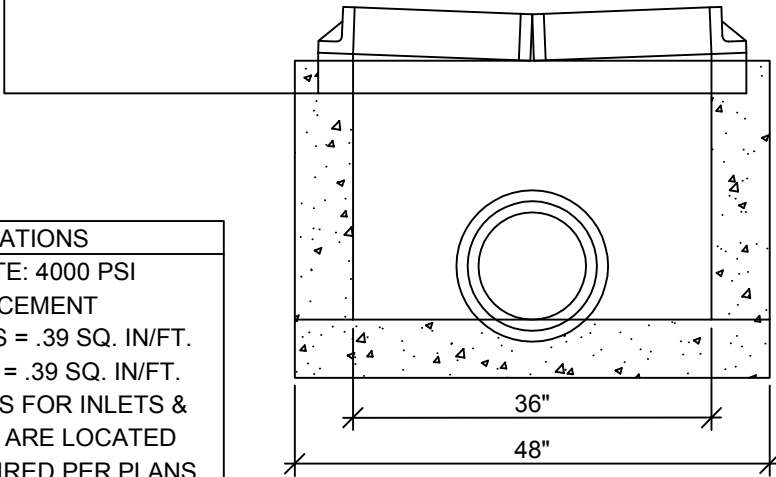
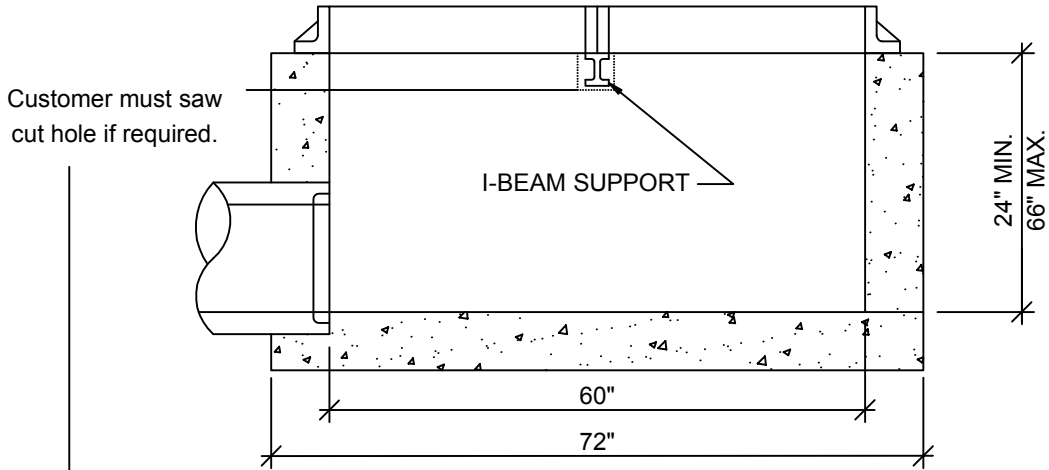
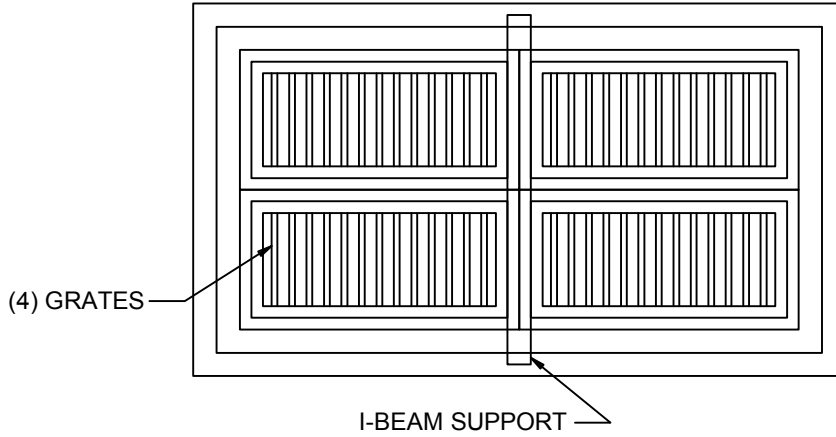


# 4 GRATE AREA INLET



**SPECIFICATIONS**  
 CONCRETE: 4000 PSI  
 REINFORCEMENT  
 HORIZ. AS = .39 SQ. IN/FT.  
 VERT. AS = .39 SQ. IN/FT.  
 OPENINGS FOR INLETS &  
 OUTLETS ARE LOCATED  
 AS REQUIRED PER PLANS.



2100 NORTH 161ST E. AVE.  
 TULSA, OKLAHOMA 74116

[WWW.GNCCONCRETEPRODUCTS.COM](http://WWW.GNCCONCRETEPRODUCTS.COM)

OFC: (918) 438-1182  
 FAX: (918) 438-1185