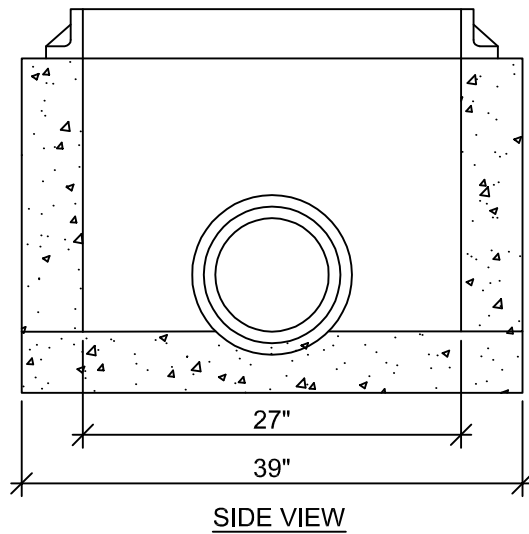
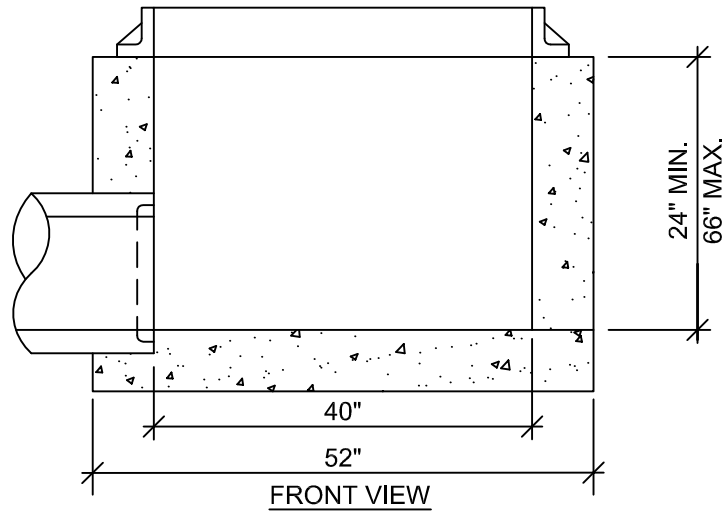
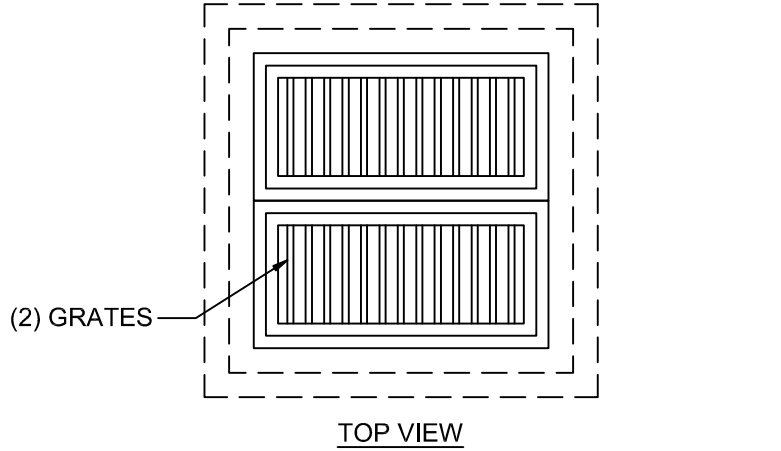


2 GRATE AREA INLET



SPECIFICATIONS

CONCRETE: 4000 PSI
REINFORCEMENT
HORIZ. AS = .22 SQ. IN/FT.
VERT. AS = .34 SQ. IN/FT.
OPENINGS FOR INLETS &
OUTLETS ARE LOCATED
AS REQUIRED PER PLANS.



2100 NORTH 161ST E. AVE.
TULSA, OKLAHOMA 74116

WWW.GNCCONCRETEPRODUCTS.COM

OFC: (918) 438-1182
FAX: (918) 438-1185