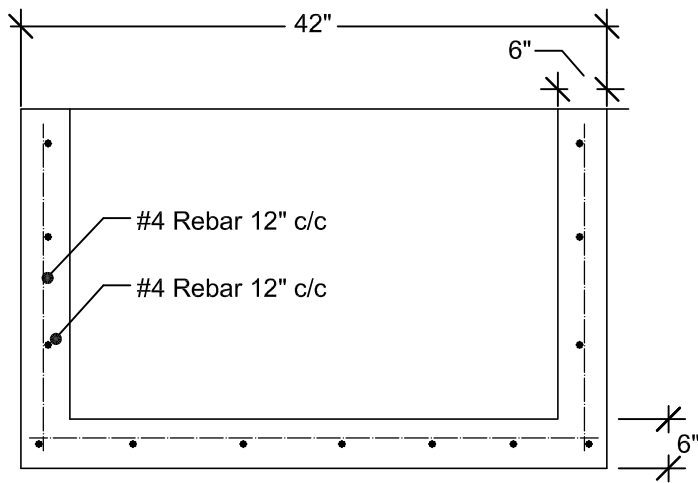


Precast Concrete Area Inlet

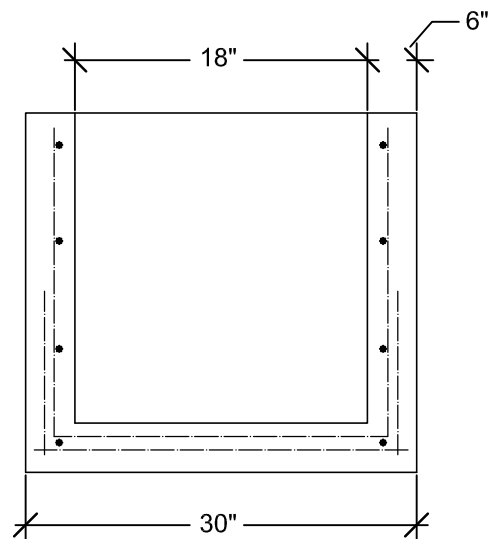
Single Grate 18" x 30"

SPECIFICATIONS:

Concrete: ODOT Class A
Reinforcement:
Horiz. #4 Rebar 12" c/c
Vert. #4 Rebar 12" c/c
Openings For Inlets & Outlets
Are Located As Required
Per Plans



SIDE ELEVATION



SECTION BB

