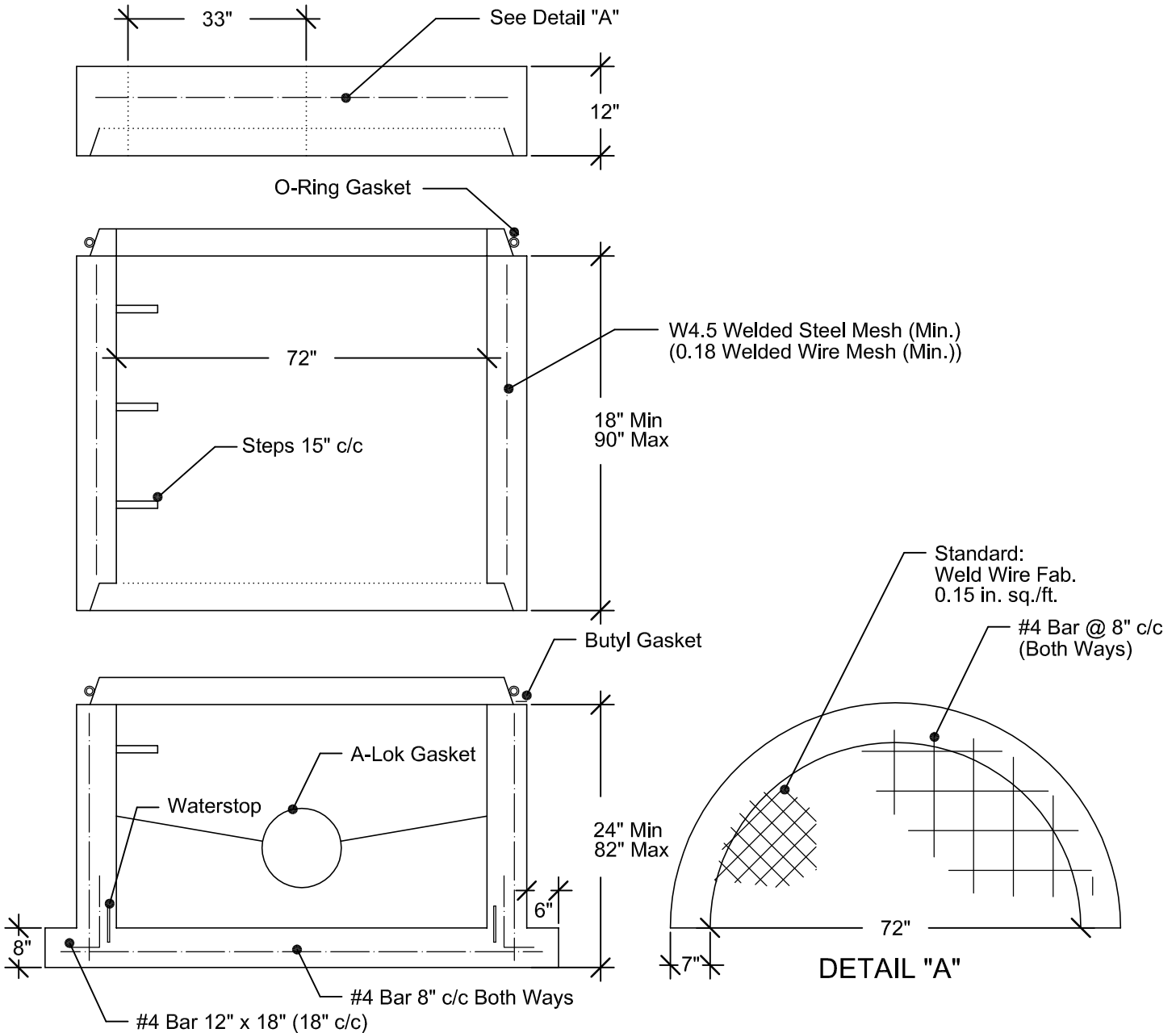


Precast Concrete Manhole (72" ID) Sanitary Sewer (Extended Bottom, Invert, Flat Top & Steps)

Openings for inlets & outlets are made to the OD of the intrusions, providing a water tight and flexible joint. These gaskets are located as required per plans.

SPECIFICATIONS:

ASTM C478
Concrete: 4000 PSI (Min.)
Approx. Wt./LinFt: 1800 Lbs.
Joint O-Ring Gasket



2100 NORTH 161ST E. AVE.
TULSA, OKLAHOMA 74116 WWW.GNCCONCRETEPRODUCTS.COM

OFC: (918) 438-1182
FAX: (918) 438-1185