

# Precast Concrete Standard Median Drain

## Type 1 & 2

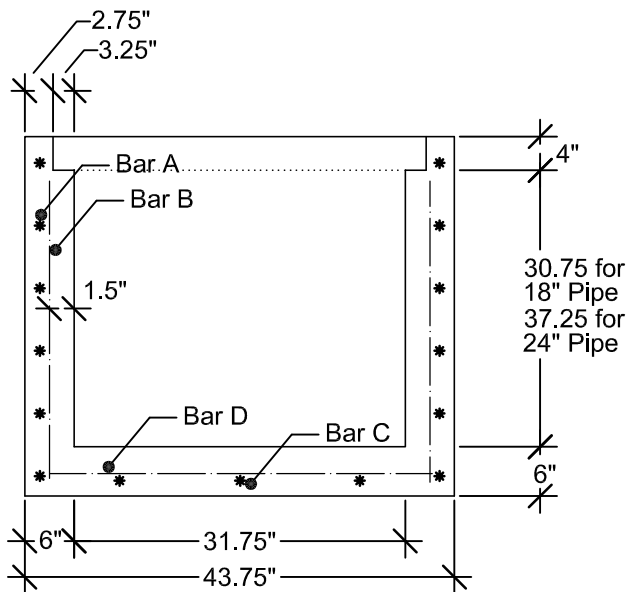
### Bar Diagram

Mark	Size	#	Shape	Length	Spacing
18" RCP					
A	1/2"	5	BENT	11'-10"	6"
B	1/2"	16	BENT	3'-0"	9"
C	5/8"	7	STR	3'-2"	6"
D	5/8"	6	STR	3'-4"	6"
24" RCP					
A	1/2"	6	BENT	11'-10"	6"
B	1/2"	16	BENT	3'-7"	9"
C	5/8"	7	STR	3'-2"	6"
D	5/8"	6	STR	3'-4"	6"

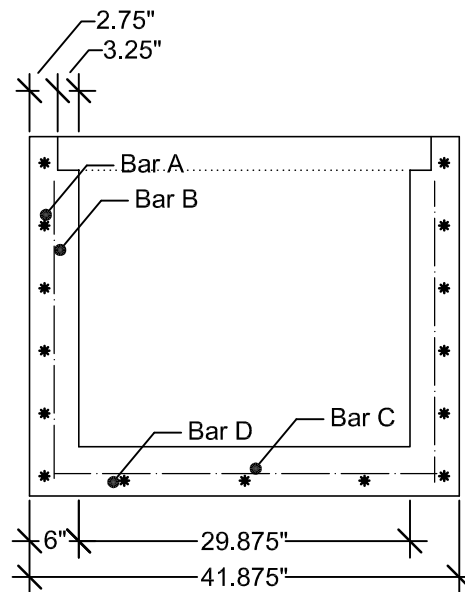
## SPECIFICATIONS:

ASTM-615  
 All steel grade 60  
 Concrete 4000 PSI  
 Openings for inlets & outlets  
 are located as required per plans

## FOR 15" TO 24" RCP



SIDE VIEW



END VIEW

