

REINFORCED CONCRETE PIPE PRECAST END SECTIONS (RCP) ASTM C-76

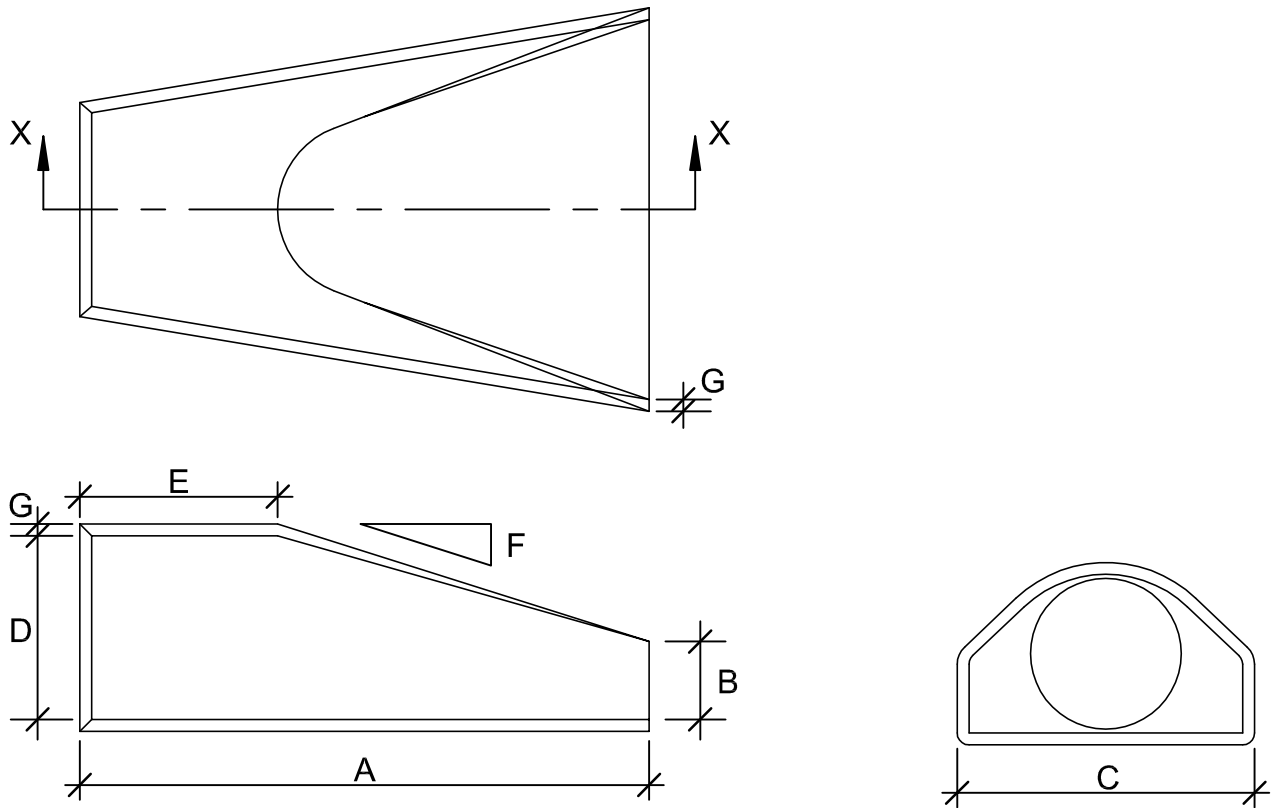


TABLE OF DIMENSIONS AND WEIGHTS

PIPE ID	A (FEET)	B (INCHES)	C (INCHES)	D (INCHES)	E (INCHES)	F (INCHES)	G (INCHES)	WEIGHT (POUNDS)
15"	6'-0"	6"	35"	15"	46"	2.2:1	2-1/4"	740
18"	6'-0"	9"	41"	18"	44"	2.2:1	2-1/2"	990
24"	6'-0"	9-1/2"	54"	24"	28"	2.4:1	3"	1520
30"	6'-0"	12"	67"	30"	20"	2.4:1	3-1/2"	2190
36"	8'-0"	15"	80"	36"	34"	2.4:1	4"	4100
42"	8'-0"	21"	87"	42"	34"	2.4:1	4-1/2"	5380
48"	8'-2"	24"	95"	48"	23"	2.4:1	5"	6550

NOTES:

1. END SECTIONS MANUFACTURED TO MEET CURRENT ASTM SPECIFICATIONS.



2100 NORTH 161ST E. AVE.
TULSA, OKLAHOMA 74116 WWW.GNCCONCRETEPRODUCTS.COM

OFC: (918) 438-1182
FAX: (918) 438-1185