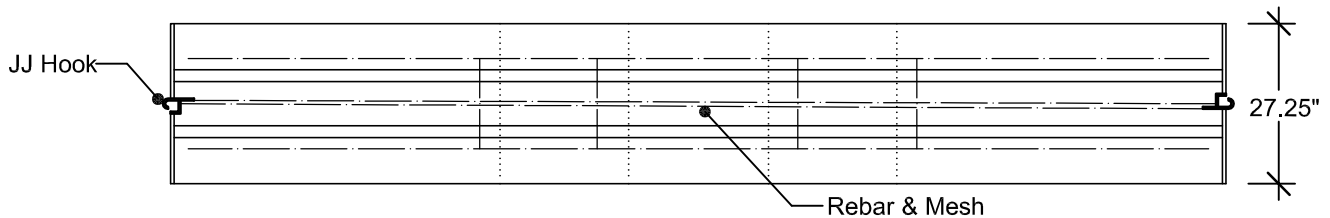
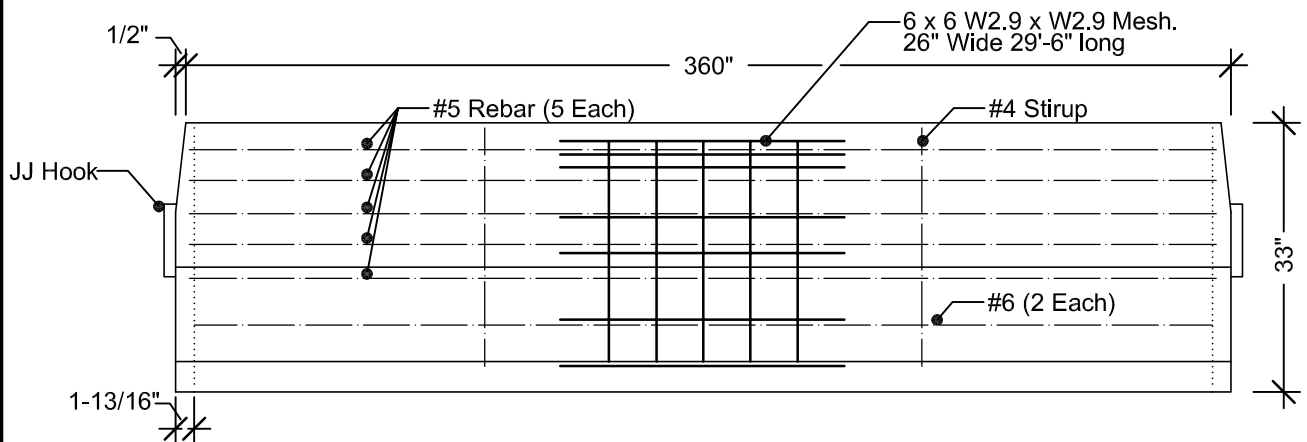
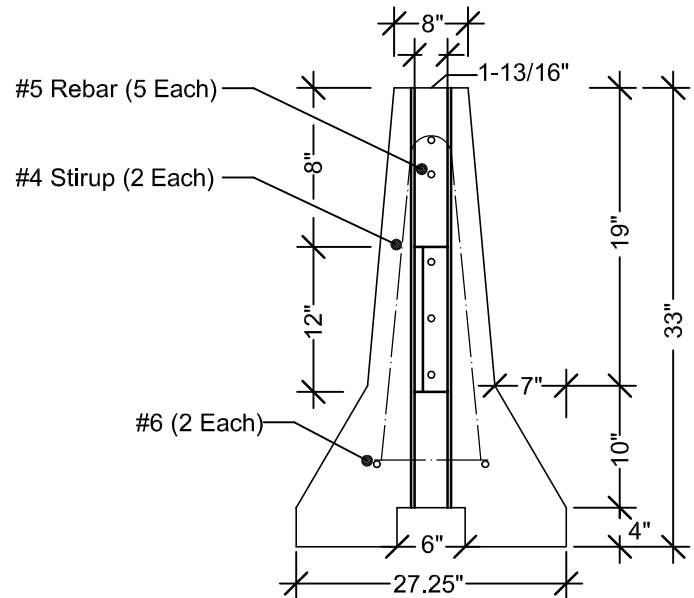


Precast Concrete Median Barrier with J-J Hooks

NOTES & SPECIFICATIONS:

Concrete 5000 PSI
 All Edges 3/4" Chamfer
 Welded Wire Mesh. ASTM A185
 Rebar ASTM A706 Grade 60
 Steel Plate ASTM A36
 Barrier Surface to be Brush Finished
 Steel Reinforcing = 11.76 Lbs/LF
 M-350 Crash Standards



2100 NORTH 161ST E. AVE.
 TULSA, OKLAHOMA 74116

WWW.GNCCONCRETEPRODUCTS.COM

OFC: (918) 438-1182
 FAX: (918) 438-1185