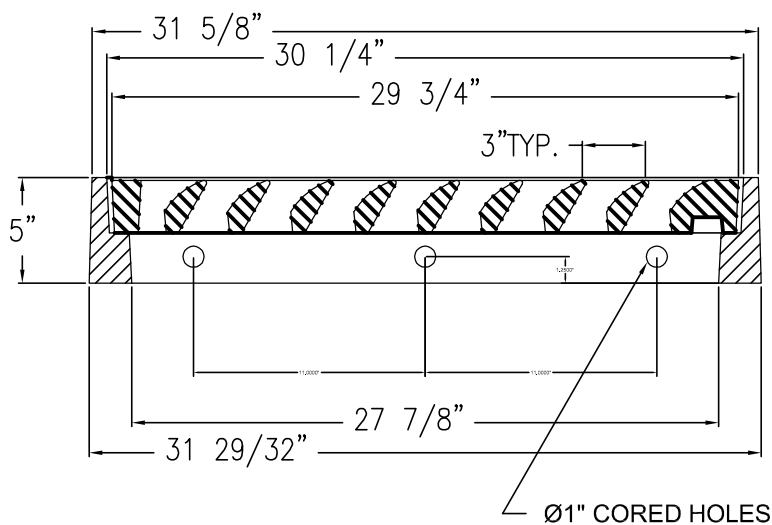
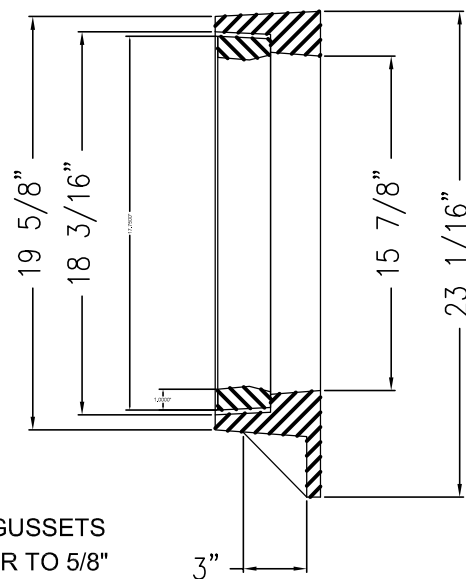
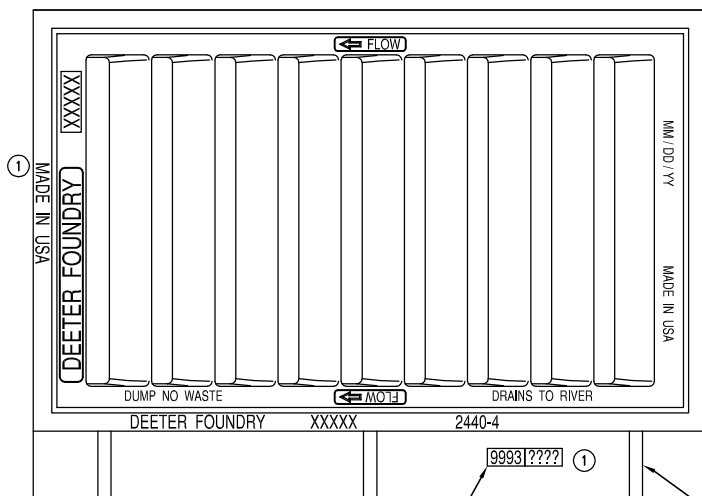


Frame & Grate #2444




NOTE:

1. TOTAL OPEN AREA OF THE GRATE IS 216 SQ. INCHES.
2. ALL SIDES REMOVED EXCEPT FOR FRONT TO CREATE 2444 FRAME.

MATERIAL: CAST GRAY IRON ASTM A-48, CLASS 35B
FINISH: NO PAINT
WEIGHT: 330 LBS.

Revised 4/28/00 KRH
1 ADDED MADE IN USA & COMPONENT #

	Deeter Foundry, Inc.		
	5945 NORTH 70th STREET LINCOLN, NEBRASKA 68529		
# 2444	CATCH BASIN INLET FRAME		
Date: 19 MAR 96	Drawn by: DOUG	Scale: 1/8	
DRAWING NO. 96-2444H-05	Revised by: KRH	Date: 28 APR 00	



2100 NORTH 161ST E. AVE.
TULSA, OKLAHOMA 74116 WWW.GNCCONCRETEPRODUCTS.COM

OFC: (918) 438-1182
FAX: (918) 438-1185