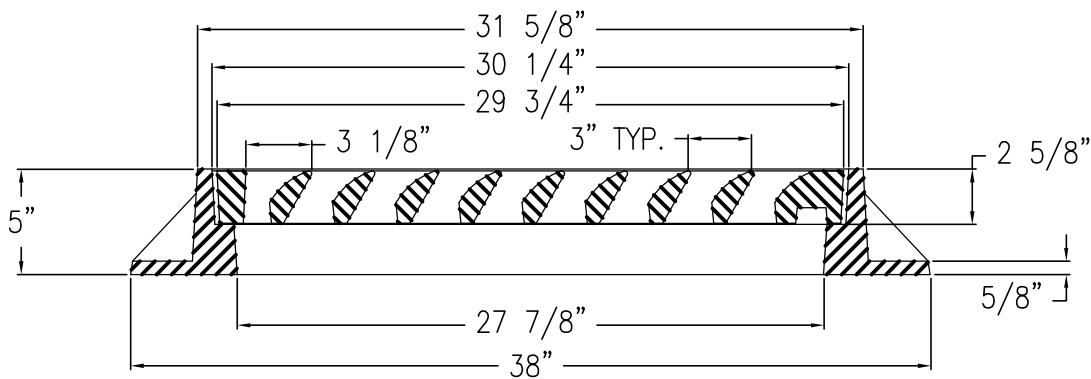
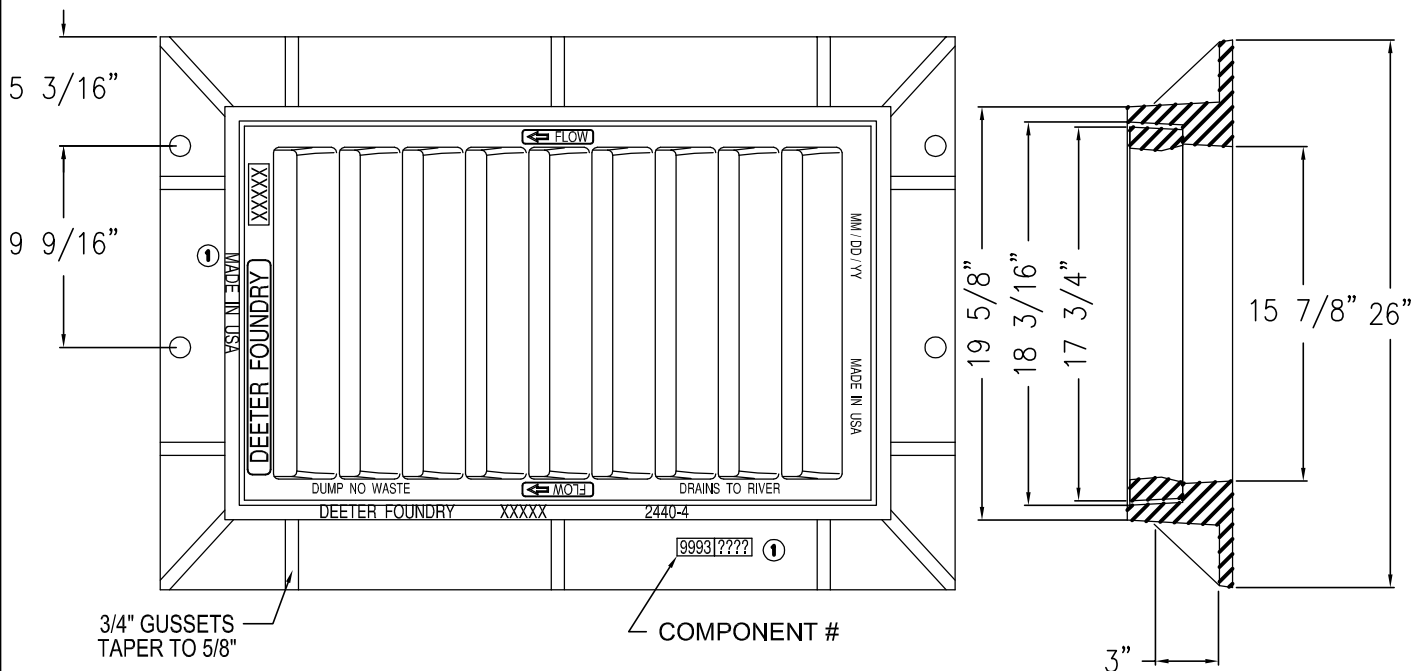
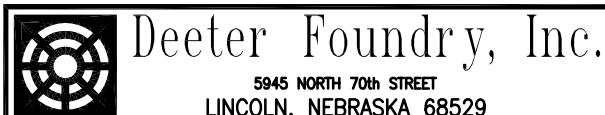


Frame & Grate #2440



NOTE:
1. TOTAL OPEN AREA OF THE GRATE IS 216 SQ. INCHES.



Deeter Foundry, Inc.

5945 NORTH 70th STREET
LINCOLN, NEBRASKA 68529

2440 CATCH BASIN INLET FRAME AND "H" GRATE

MATERIAL: CAST GRAY IRON ASTM A-48,
CLASS 35B

FINISH: NO PAINT

WEIGHT: 402 LBS.

Revised 4/28/00 KRH

1 ADDED MADE IN USA
& COMPONENT #

Date: 25 JULY 94

DRAWING NO. 94-2440H-05

Drawn by: RON

Approved by:

Scale: 1/8

Date:



2100 NORTH 161ST E. AVE.
TULSA, OKLAHOMA 74116 WWW.GNCCONCRETEPRODUCTS.COM

OFC: (918) 438-1182
FAX: (918) 438-1185