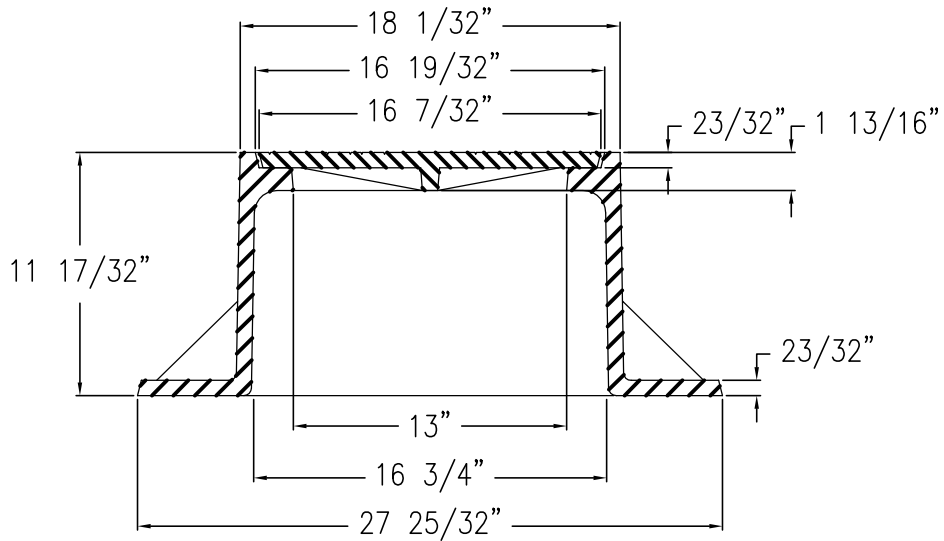
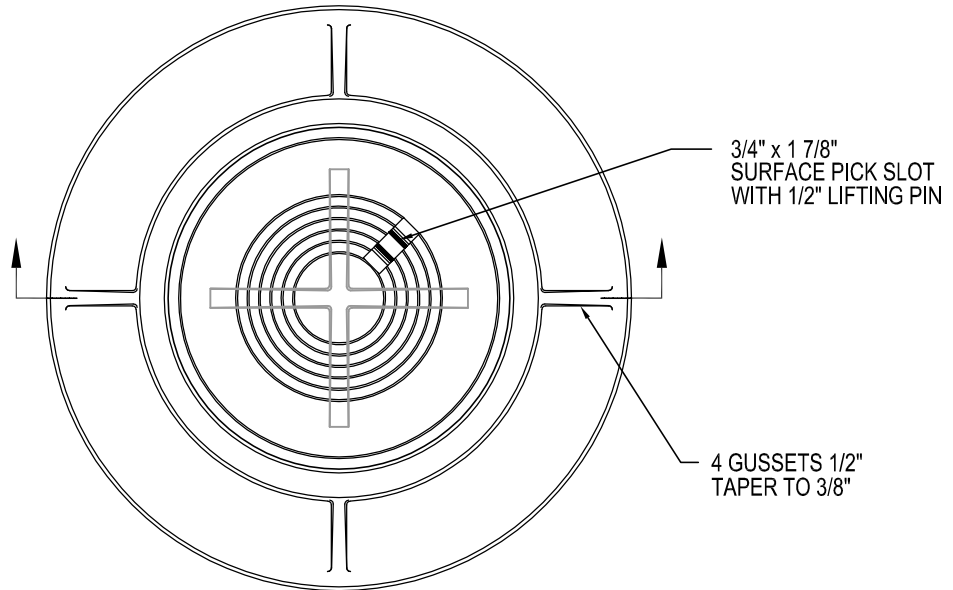
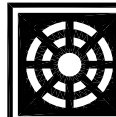


Manhole Ring & Cover #1828



MATERIAL: CAST GRAY IRON ASTM A-48, CLASS 35B
FINISH: NO PAINT
WEIGHT: 98 LBS.



Deeter Foundry, Inc.

5945 NORTH 70th STREET
LINCOLN, NEBRASKA 68529

1828

MONUMENT RING & COVER

Date: 13 APR 95	Drawn by: KRH	Scale:
DRAWING NO. 95-1828-01	Revised by:	Date:



2100 NORTH 161ST E. AVE.
TULSA, OKLAHOMA 74116 WWW.GNCCONCRETEPRODUCTS.COM

OFC: (918) 438-1182
FAX: (918) 438-1185