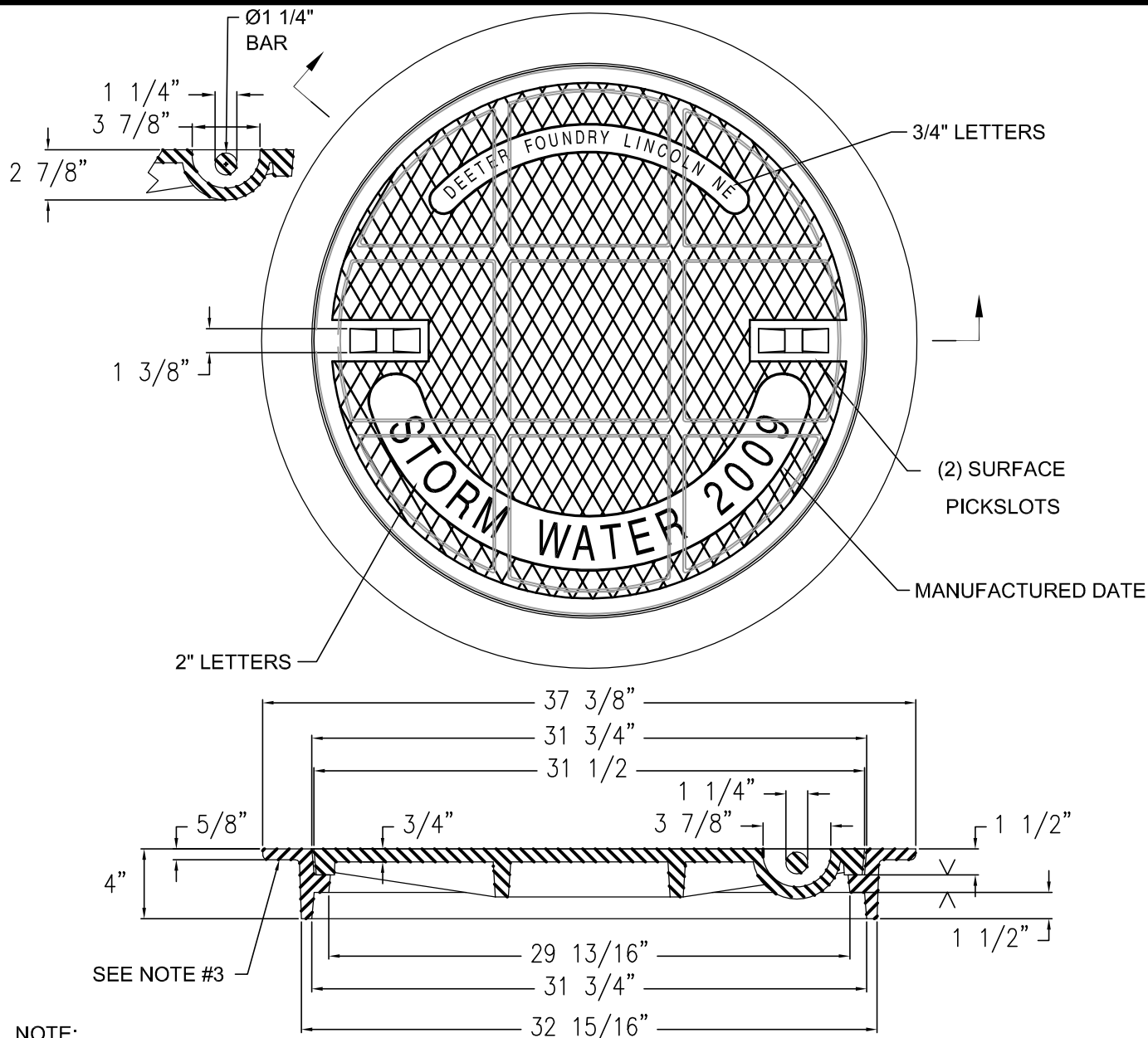



Manhole Ring & Cover #1296-R



NOTE:

1. MANHOLE RING IS REVERSIBLE AND CAN BE INSTALLED WITH FLANGE UP OR DOWN.
2. TO ORDER FRAME MACHINED FLANGE UP USE ORDER # 1296-RFU. TO ORDER FRAME MACHINED FLANGE DOWN USE ORDER # 1296-RFD.
3. READS ASHTO M306, MADE IN USA & A JULIAN HEAT DATE.

MATERIAL: CAST GRAY IRON ASTM A-48, CLASS 35B	
FINISH:	NO PAINT
WEIGHT:	FRAME 125 LBS. COVER 210 LBS.

	Deeter Foundry, Inc.		
	5945 NORTH 70th STREET LINCOLN, NEBRASKA 68529		
#	1296-R-STM	REVERSIBLE MANHOLE RING & COVER	
Date:	05 MAR 02	Drawn by:	KRH
DRAWING NO.	02-1296-R-STM	Revised by:	
		Date:	



2100 NORTH 161ST E. AVE.
TULSA, OKLAHOMA 74116 WWW.GNCCONCRETEPRODUCTS.COM

OFC: (918) 438-1182
FAX: (918) 438-1185