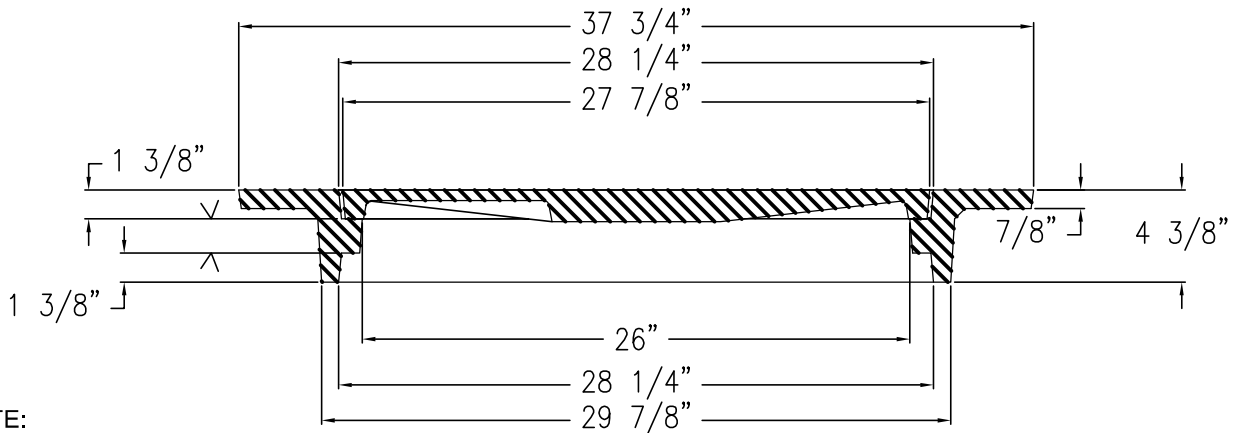
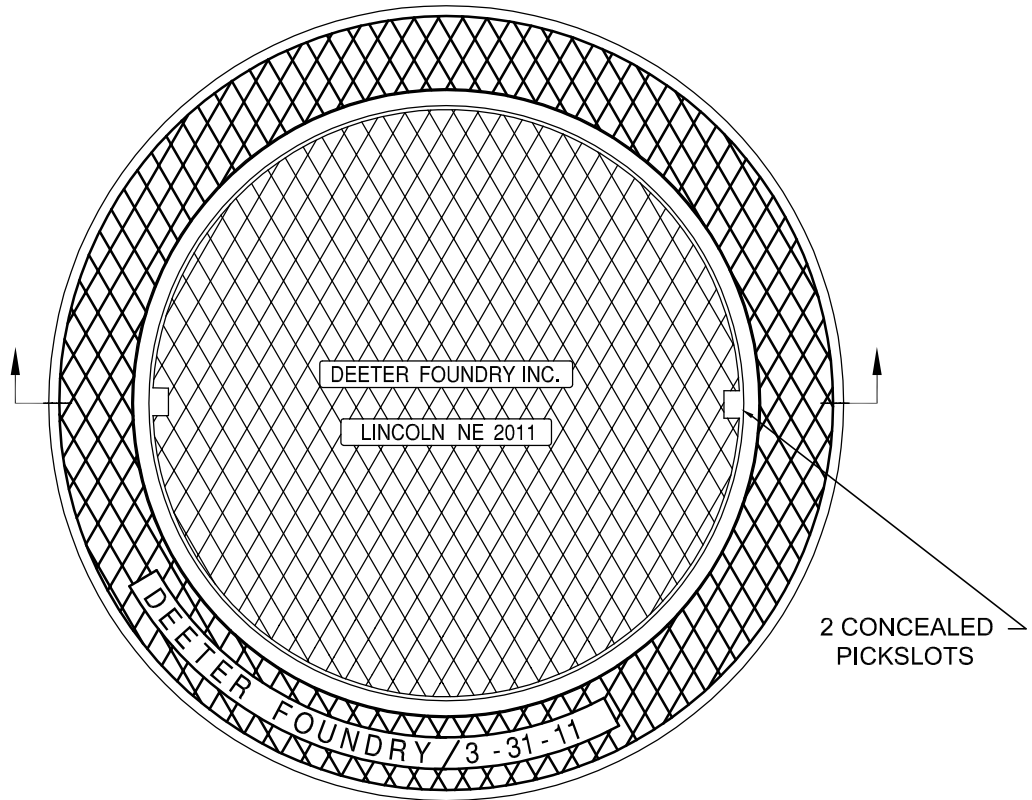



Manhole Ring & Cover #1159



NOTE:

1. FURNISHED WITH MACHINED HORIZONTAL BEARING SURFACE.
2. MANHOLE RING IS REVERSIBLE.

MATERIAL: CAST GRAY IRON ASTM A-48, CLASS 35B
FINISH: NO PAINT
WEIGHT: 386 LBS.

	Deeter Foundry, Inc.		
	5945 NORTH 70th STREET LINCOLN, NEBRASKA 68529		
#	1159	MANHOLE RING & COVER	
Date:	15 MAY 95	Drawn by:	RON
Scale:			1/8
DRAWING NO.	00-1159-01	Revised by:	KRH
		Date:	31 MAR 11



2100 NORTH 161ST E. AVE.
TULSA, OKLAHOMA 74116 WWW.GNCCONCRETEPRODUCTS.COM

OFC: (918) 438-1182
FAX: (918) 438-1185